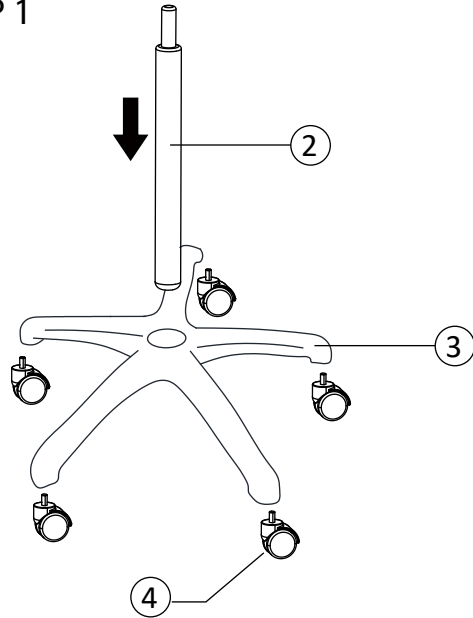


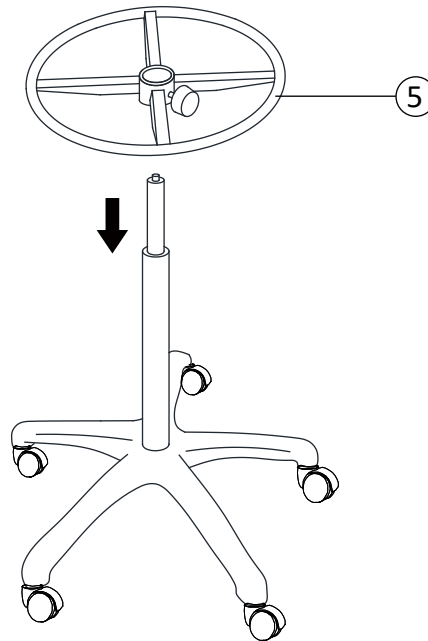
ASSEMBLY INSTRUCTION

Remove all items from the carton. Verify all pieces before assembly.

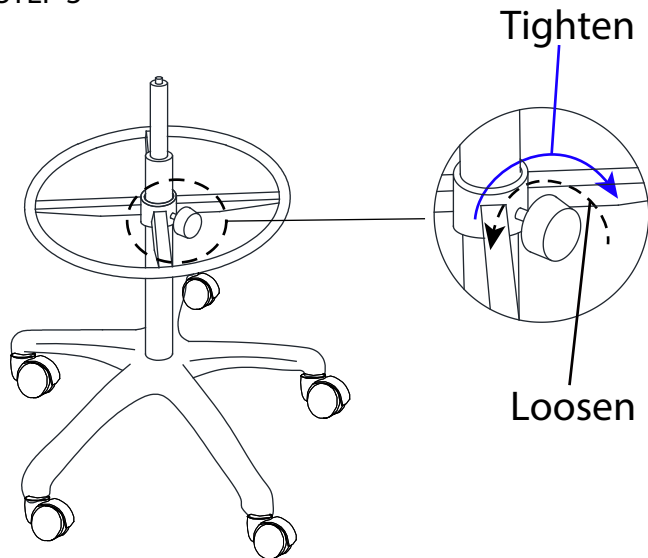
STEP 1



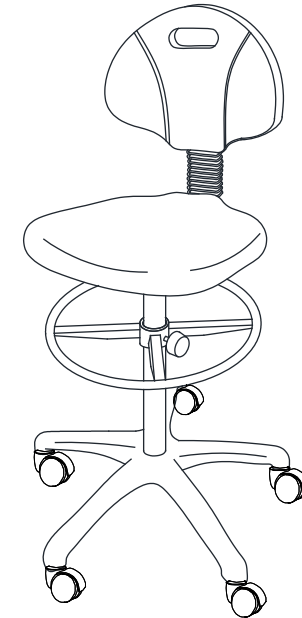
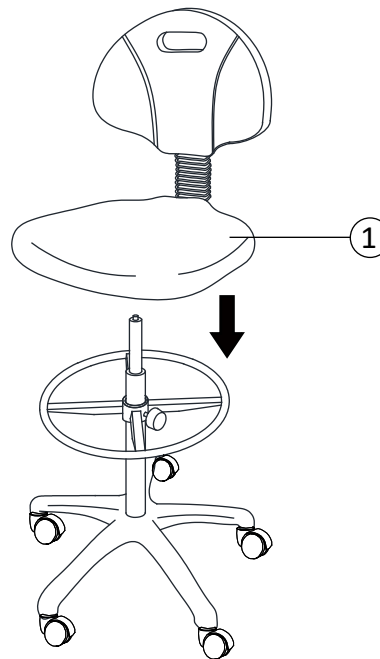
STEP 2



STEP 3



STEP 4



FINISH

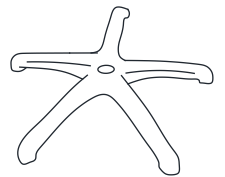
① Seat & Back



② Gas Lift



③ Armrest



④ Casters - x5



⑤ Footrest

